

## DIGITAL POINT CALIPERS

DATA OUTPUT

- Pointed jaws fit into small grooves and recesses
- Resolution: 0.01mm/0.0005"
- Buttons: on/off, zero, mm/inch
- Automatic power off, move the digital unit to turn on power
- Battery CR2032
- Made of stainless steel



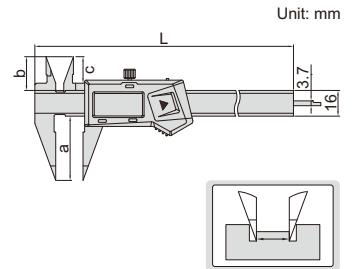
1183-150A

With data interface (data output cable code 7315-21, 7302-21, optional)

| Code      | Range         | Accuracy | L     | a    | b    | c      |
|-----------|---------------|----------|-------|------|------|--------|
| 1183-150A | 0-150mm/0-6"  | ±0.03mm  | 236mm | 40mm | 21mm | 16.5mm |
| 1183-200A | 0-200mm/0-8"  | ±0.03mm  | 286mm | 50mm | 24mm | 19.5mm |
| 1183-300A | 0-300mm/0-12" | ±0.03mm  | 400mm | 60mm | 25mm | 21.5mm |

Built-in wireless (receiver code 7315-2/3/6/7/8 is required)

| Code        | Range         | Accuracy | L     | a    | b    | c      |
|-------------|---------------|----------|-------|------|------|--------|
| 1183-150AWL | 0-150mm/0-6"  | ±0.03mm  | 236mm | 40mm | 21mm | 16.5mm |
| 1183-200AWL | 0-200mm/0-8"  | ±0.03mm  | 286mm | 50mm | 24mm | 19.5mm |
| 1183-300AWL | 0-300mm/0-12" | ±0.03mm  | 400mm | 60mm | 25mm | 21.5mm |



## DIGITAL CALIPERS WITH KNIFE EDGE LOWER JAWS

DATA OUTPUT

- Measure diameter of narrow grooves
- Resolution: 0.01mm/0.0005"
- Buttons: on/off, zero, mm/inch
- Automatic power off, move the digital unit to turn on power
- Battery CR2032
- Made of stainless steel



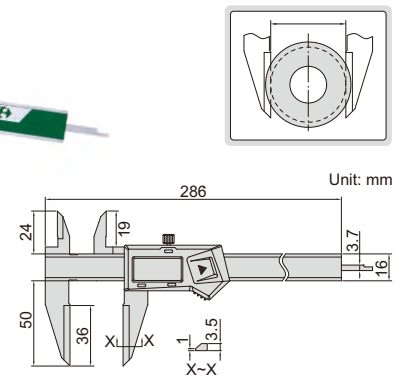
1532-200

With data interface (data output cable code 7315-21, 7302-21, optional)

| Code     | Range        | Accuracy |
|----------|--------------|----------|
| 1532-200 | 0-200mm/0-8" | ±0.03mm  |

Built-in wireless (receiver code 7315-2/3/6/7/8 is required)

| Code       | Range        | Accuracy |
|------------|--------------|----------|
| 1532-200WL | 0-200mm/0-8" | ±0.03mm  |



## DIGITAL INSIDE KNIFE-EDGE CALIPERS

DATA OUTPUT

- Measure diameter of deep step holes
- Resolution: 0.01mm/0.0005"
- Buttons: on/off, zero, mm/inch
- Automatic power off, move the digital unit to turn on power
- Battery CR2032
- Made of stainless steel



1123-150A

With data interface

| Code      | Range            | Accuracy | L   | a   | b  | c  | d   | e   | Data output cable (optional) |
|-----------|------------------|----------|-----|-----|----|----|-----|-----|------------------------------|
| 1123-150A | 15-150mm/0.6-6"  | ±0.05mm  | 250 | 60  | 12 | 16 | 0.3 | 3.5 | 7315-21, 7302-21             |
| 1123-200A | 20-200mm/0.8-8"  | ±0.06mm  | 305 | 100 | 17 | 16 | 0.3 | 3.5 | 7315-21, 7302-21             |
| 1123-300A | 24-300mm/0.9-12" | ±0.06mm  | 500 | 150 | 22 | 24 | 0.5 | 3.5 | 7315-22, 7302-22             |

Built-in wireless (receiver code 7315-2/3/6/7/8 is required) (mm)

| Code        | Range           | Accuracy | L   | a   | b  | c  | d   | e   |
|-------------|-----------------|----------|-----|-----|----|----|-----|-----|
| 1123-150AWL | 15-150mm/0.6-6" | ±0.05mm  | 250 | 60  | 12 | 16 | 0.3 | 3.5 |
| 1123-200AWL | 20-200mm/0.8-8" | ±0.06mm  | 305 | 100 | 17 | 16 | 0.3 | 3.5 |

